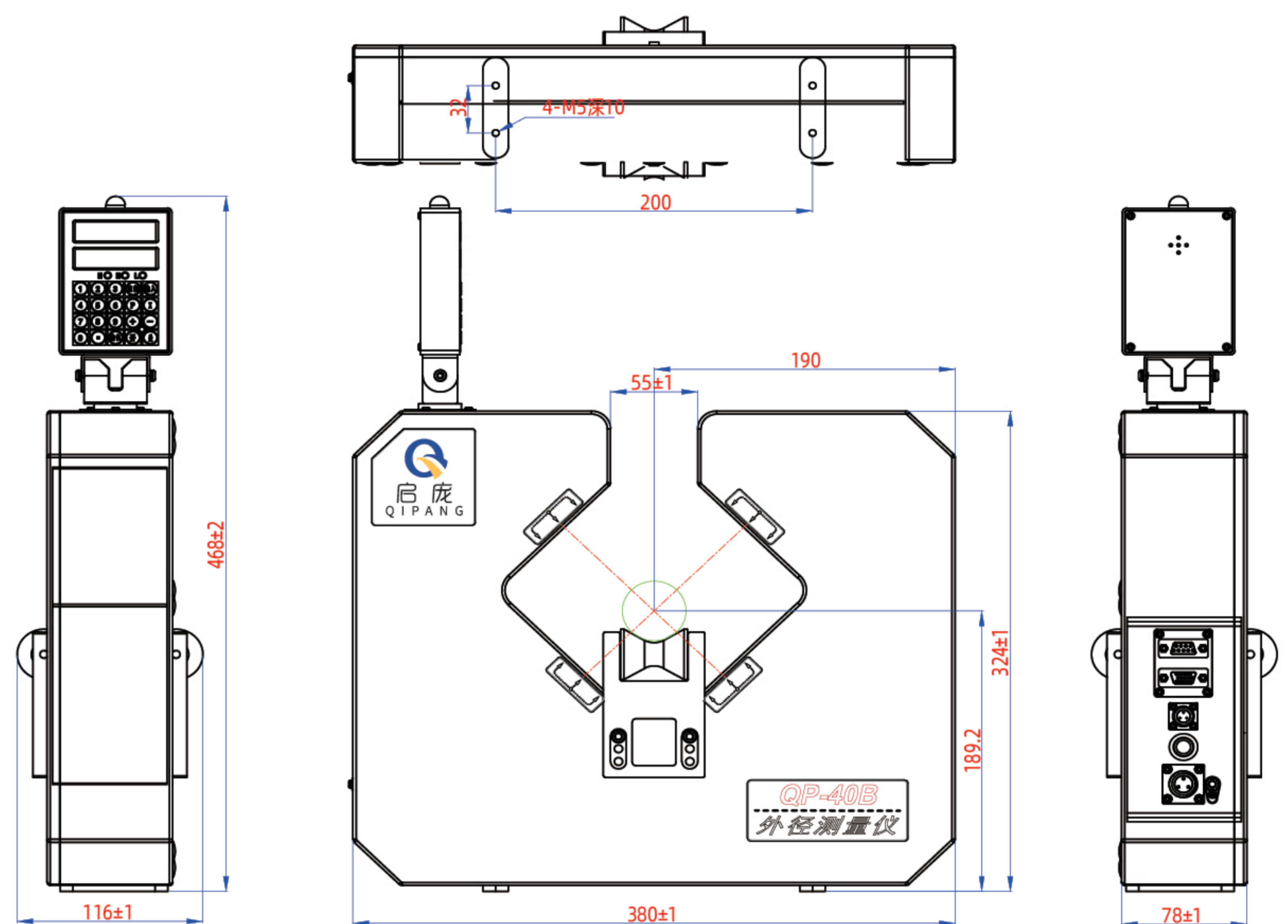
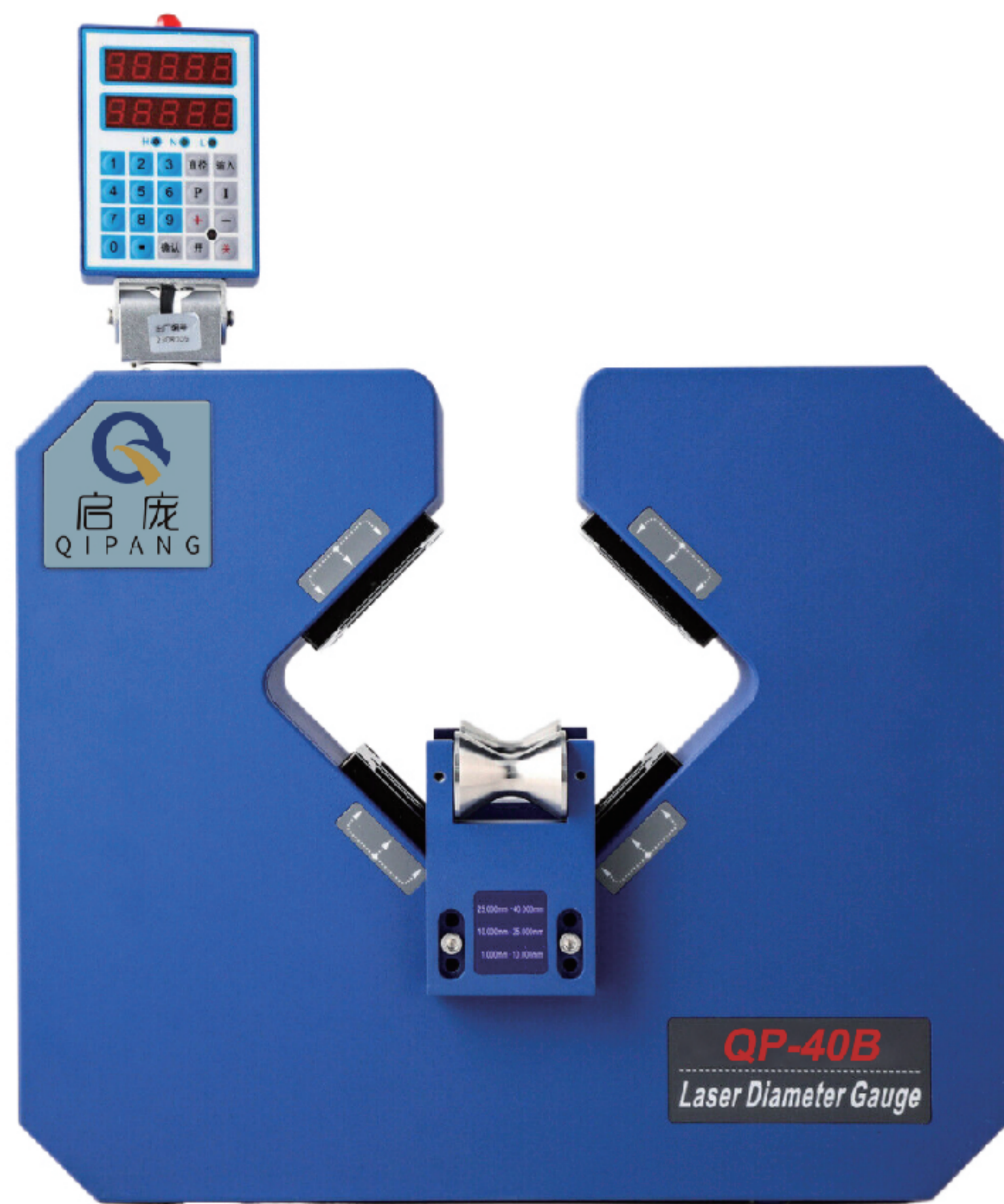


产品外形及安装尺寸

Product appearance and installation size



参数表 Parameter Table

型号 Model	QP-40B
测量范围 Measuring range	0.1mm-40mm、1/256"-1 37/64"
测量精度 Measuring accuracy	±2μm±0.008%Dz mm("Dz"为被测物的实际直径大小) ("Dz" is the actual diameter of the measured object)
测径仪扫描速度 Scanning speed of diameter gauge	1000次扫描周期/秒 1000times scanningcycle/second
分辨率 Resolution	0.001mm
仪器供电电压 Power supply voltage	AC220V±10% 50HZ
环境温度 Ambient temperature	-10 ~ 45°C
相对湿度 Relative humidity	≤85%(无冷凝水)(no condensationwater)
显示方式 Display means	双排5位数码管显示 two-row5-digit pipe display
工作频率 Working frequency	50/60Hz
通讯接口 Communication interface	RS485 (support Modbus RTU)
产品尺寸 Product size	380*116*468mm
功耗 Power consumption	≤15W
重量 Weight	8.3KG