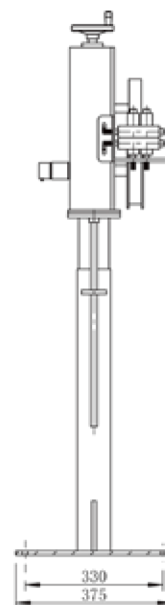
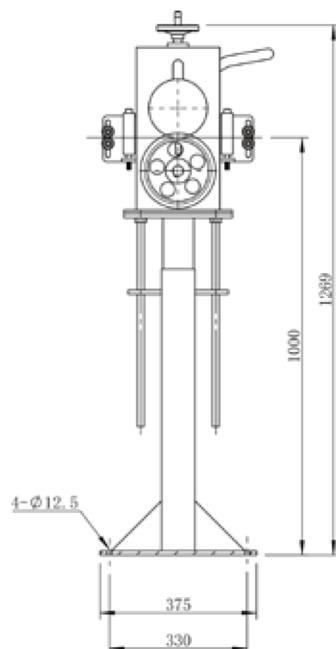


QP-25L 滚轮计米器

QP-25L Length Meter Counter



型号	Model	QP-25L
特性	Features	4圈1米 4 coils, 1 meter
适用线径	Wire diameter	0.1mm-25mm
适用线速度	Applicable wire speed	0-200M/Min
中心高度	Center height	900-1100mm(中心高度可调)(Center height adjustable)
计米轮材质	Material of meter wheel	胶轮+喷瓷轮传动 Rubber Wheel Ceramic-Coated Wheel Drive
计米轮直径	Diameter of the meter wheel	φ79.48mm±0.01
计米精度	Meter accuracy	复绕2‰、绞线2‰、挤出1.5‰ Rewinding 2‰、twisted wire 2‰、extrusion 1.5‰
可计长度	Countable length	0-99999.9M
压紧方式	Compression method	压杆/手轮两用 Dual-purpose: Pressure Rod/Handwheel
产品结构	Product Structure	弹簧垂直压紧 Spring vertical pressing
计数方式	Counting Method	接近开关感应 Inductive Sensor
信号输出	Signal output	RS485 (可选) (Optional)
设备颜色	Device Color	5015蓝(其他可订制)5015 Blue (Other customizable options)
工作电压	Working voltage	220V AC
设备重量	Equipment weight	计米台主机13KG+支架25KG Meter counter main unit 13KG+bracket 25KG
设备包装尺寸	Packing size	L530*W420*H480mm 计米台 Meter counter main unit L350*W350*H860mm 支架 bracket