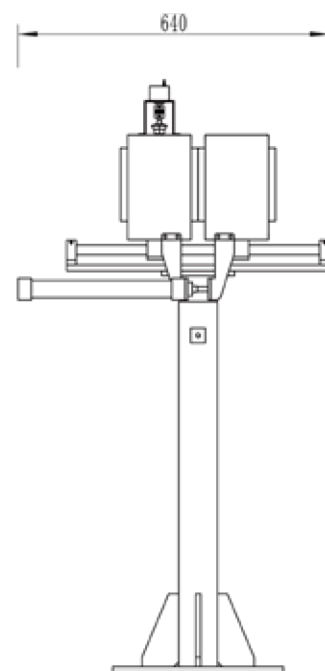
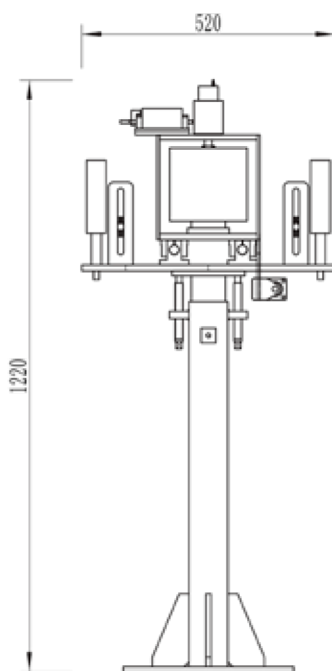


QP-220W机械计米器

QP-220W Length Meter Counter



型号	Model	QP-220W
适用线径	Wire diameter	4mm-220mm
适用线速度	Speed	0-50M/Min
中心高度	Center height	900-1100mm(中心高度可调)(Center height adjustable)
计米轮材质	Material of meter wheel	PF/钢PF/Steel (可选聚氨酯轮) Optional polyurethane wheels
计米轮直径	Diameter of the meter wheel	计米轮周长500mm Meter wheel circumference 500mm
计米精度	Meter accuracy	复绕2‰、绞线2‰、挤出1.5‰ Rewinding 2‰、twisted wire 2‰、extrusion 1.5‰
可计长度	Countable length	0-9999.9M
压紧方式	Compression method	弹簧压紧/气缸开合 Spring tightening / cylinder opening and closing
产品结构	Product Structure	卧式水平压紧 Horizontal tightening
计数方式	Counting Method	接近开关感应(计米系数可调) (meter counting coefficient adjustable)
信号输出	Signal output	RS485 (可选) (Optional)
设备颜色	Device Color	5015蓝(其他可订制)5015 Blue (Other customizable options)
工作电压	Working voltage	220V AC
设备重量	Equipment weight	计米台主机70KG+支架24KG Meter counter main unit 70KG+Bracket 24KG
设备包装尺寸	Packing size	L530*W420* H480mm 计米台 Meter counter main unit L350* W350* H860mm 支架 Bracket