

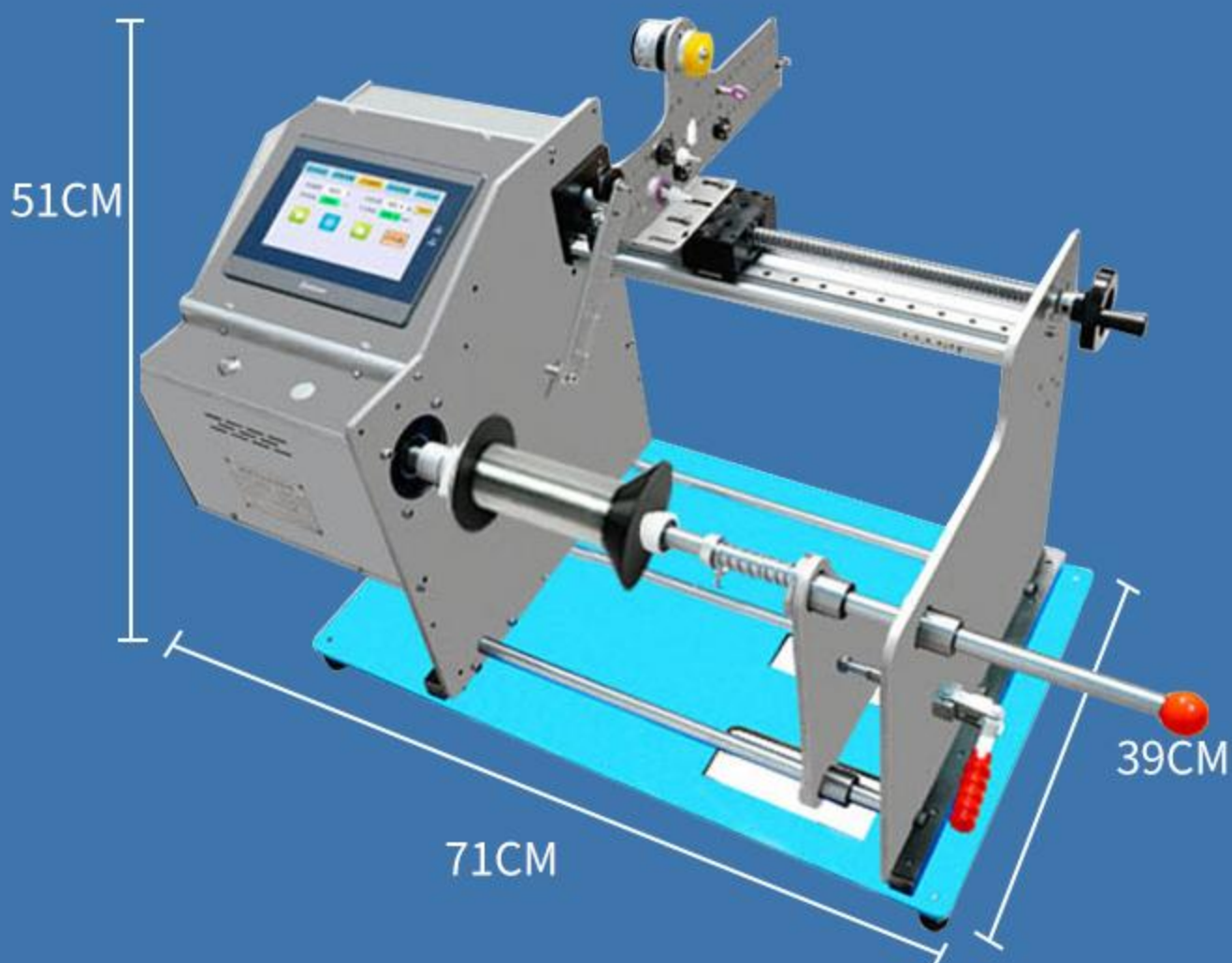
UAV Optical Fiber Winding Machine

- ① Winding stabilization
- ② Enhanced signal stability
- ③ Efficient and stable transmission
- ④ Support Chinese, English, Russian and other languages



PRODUCT PARAMETER

Source manufacturer Support customization



Product model: PMD-M-30

Size (cm) : 71*39*51

Power supply: 110V-220V

Weight (kg) : 52kg

Speed (r/min) : 5-1000r/min

Measurement method: circle meter meter

SMART TOUCH SCREEN PLC EASIER OPERATION

Support Chinese, English, Russian and other languages,
Optimized human-computer interface, all functions at a glance.

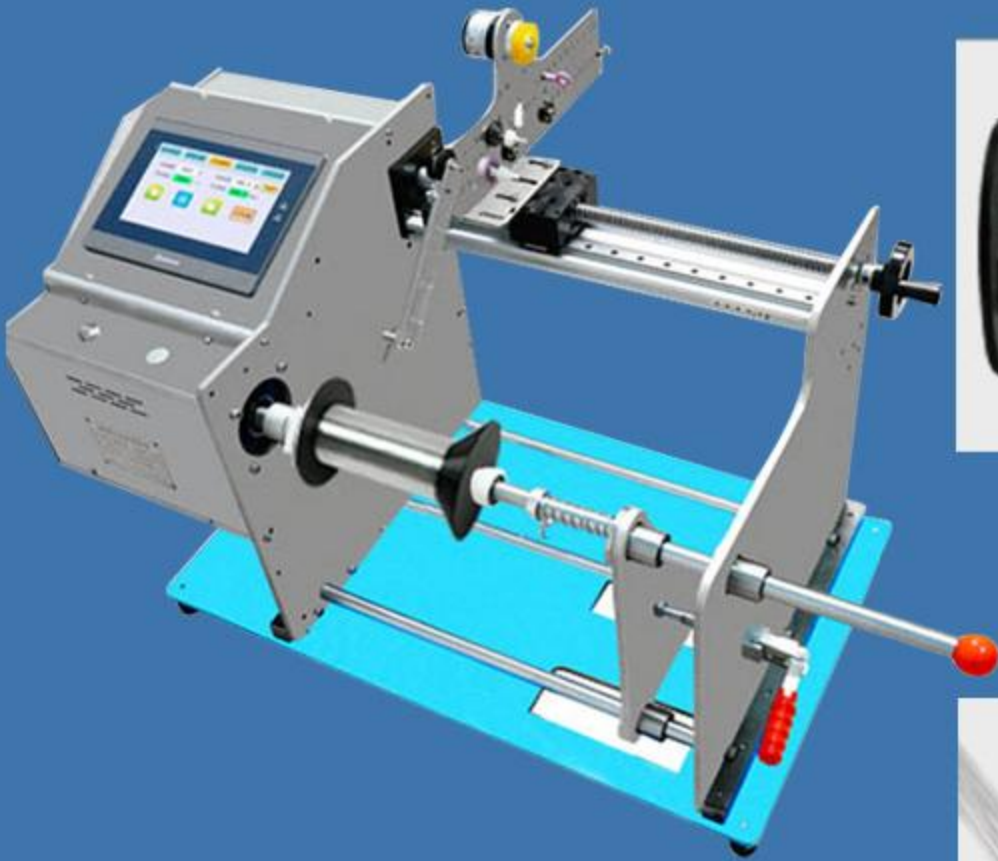
监控画面	参数设置	手动操作	系统参数	功能选择
绕线速度	8.0 r/s	绕线速度	8.0 mm/s	0.350
设置长度	100.00 M	设置长度	100.00 M	功能选择
设置层数	50 L	设置层数	50 L	绕线反向
设置圈数	8775 R	设置圈数	8775 R	移动反向
线径	0.350 MM	线径	0.350 MM	清零
<div style="display: flex; justify-content: space-around; margin-top: 10px;"> 启动 复位 停止 </div>				

监控画面	参数设置	手动操作	系统参数	功能选择
纠偏功能	已关闭	分段模式	已关闭	结束反向
两侧层加	已关闭	结束复位	复位模式	已开启
单侧偏移	已关闭	手动切换	自动模式	
两侧层减	已关闭	断线检测	不检测	
单侧层加	已关闭	运行模式	恒速模式	
蜂窝功能	已关闭	结束使能	使能有效	

Monitoring screen	Parameter settings	Manual operation	System parameter	Function selection
Number	999	Acceleration time	9999 MS	
Inner width	999.9 MM	Deceleration speed	99.9 r/s	
Outer width	999.9 MM	Manual winding speed	9999 r/s	
The number of honeycomb turns	999.9 R	Manual moving speed	999.9 mm/s	
Offset ratio	999.9 R	Return speed	999.9 mm/s	
The number of offset turns	99.9 R	Dead zone pulse	9999 P	
Offset winding speed	999.9 r/min	Response speed	9.9999 mm/s	

КАМЕРА НАБЛЮДЕНИЯ	НАСТРОЙКИ ПАРАМЕТРОВ	РУЧНОЕ УПРАВЛЕНИЕ	ПАРАМЕТРЫ СИСТЕМЫ	ВЫБОР ФУНКЦИЙ
ТЕРМИНЕКО/М ЕСТВОКРУГОВ	3.0 R	ВЫЗДЕСЬ	8.8 mm	ДЕТАЛЬ
РУЧНАЯ СКОРОСТЬ	8 r/s	СКОРОСТЬ РУЧНОГО ПЕРЕМЕЩЕНИЯ	15.0 mm/s	
<div style="display: flex; justify-content: space-around;"> ← ↻ → ПЕДЕС ГОСОБЪЕМ </div>				

Suitable for drones, factories, research laboratories;
The fiber has the characteristics of good bending resistance,
fast transmission speed and long fiber life.



Stable high precision data transmission

PRODUCT DETAILS



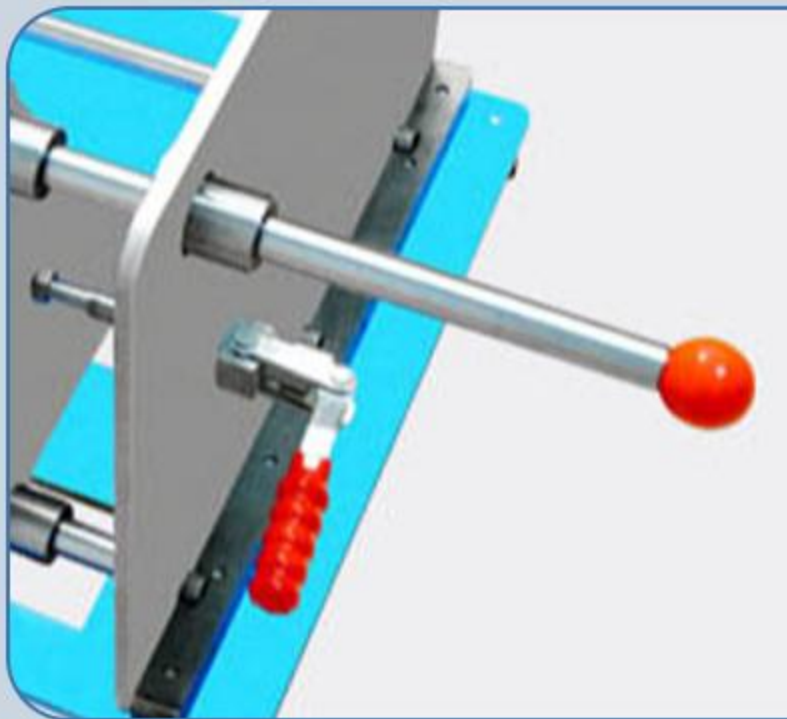
01

Precise meter
measurement



02

**Shaftless
loading reel**



03

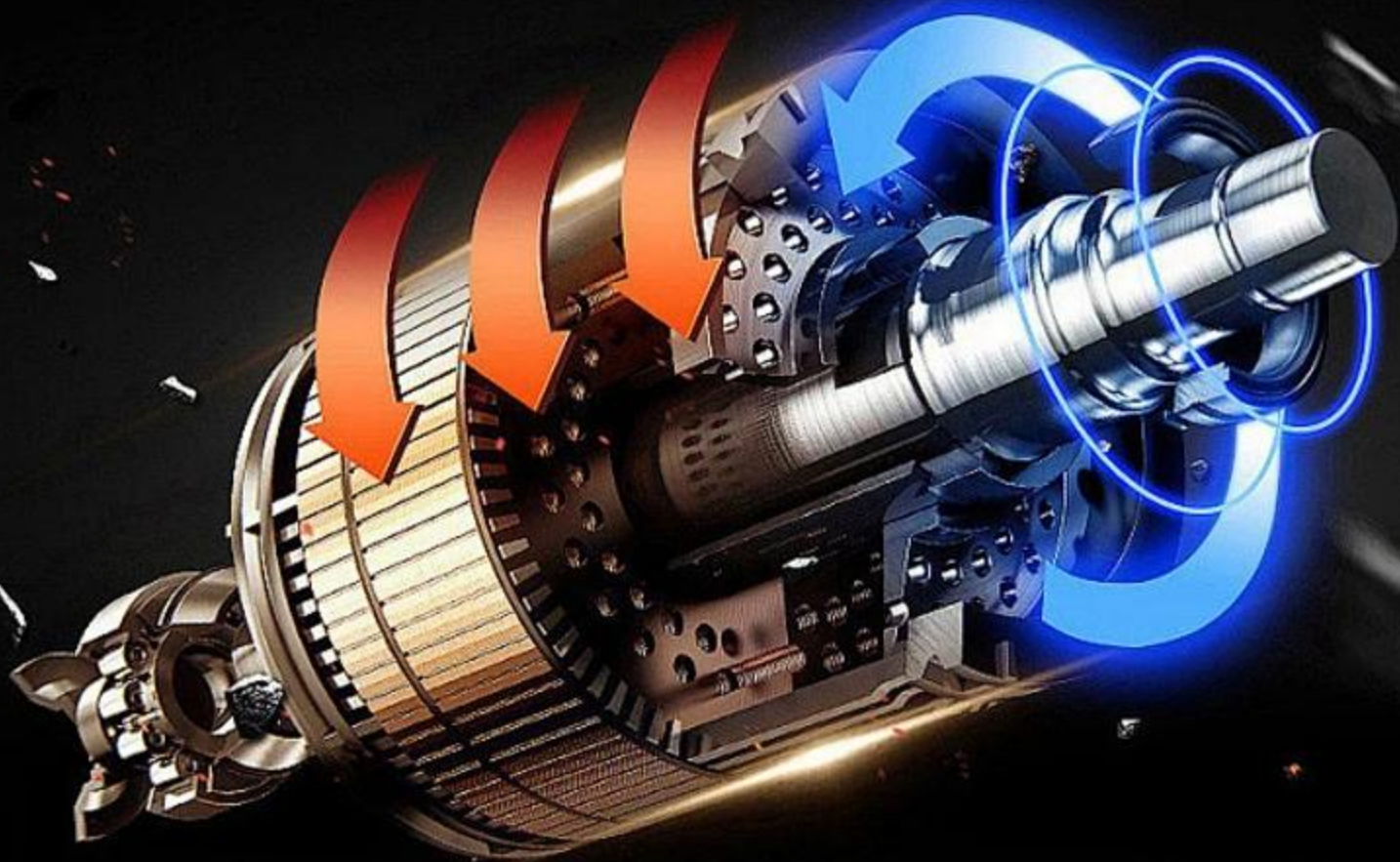
**Adjust the top
cone position**

BUILT-IN DUAL MOTOR

All copper motor, strong power, long life

Low voice

Long working hours



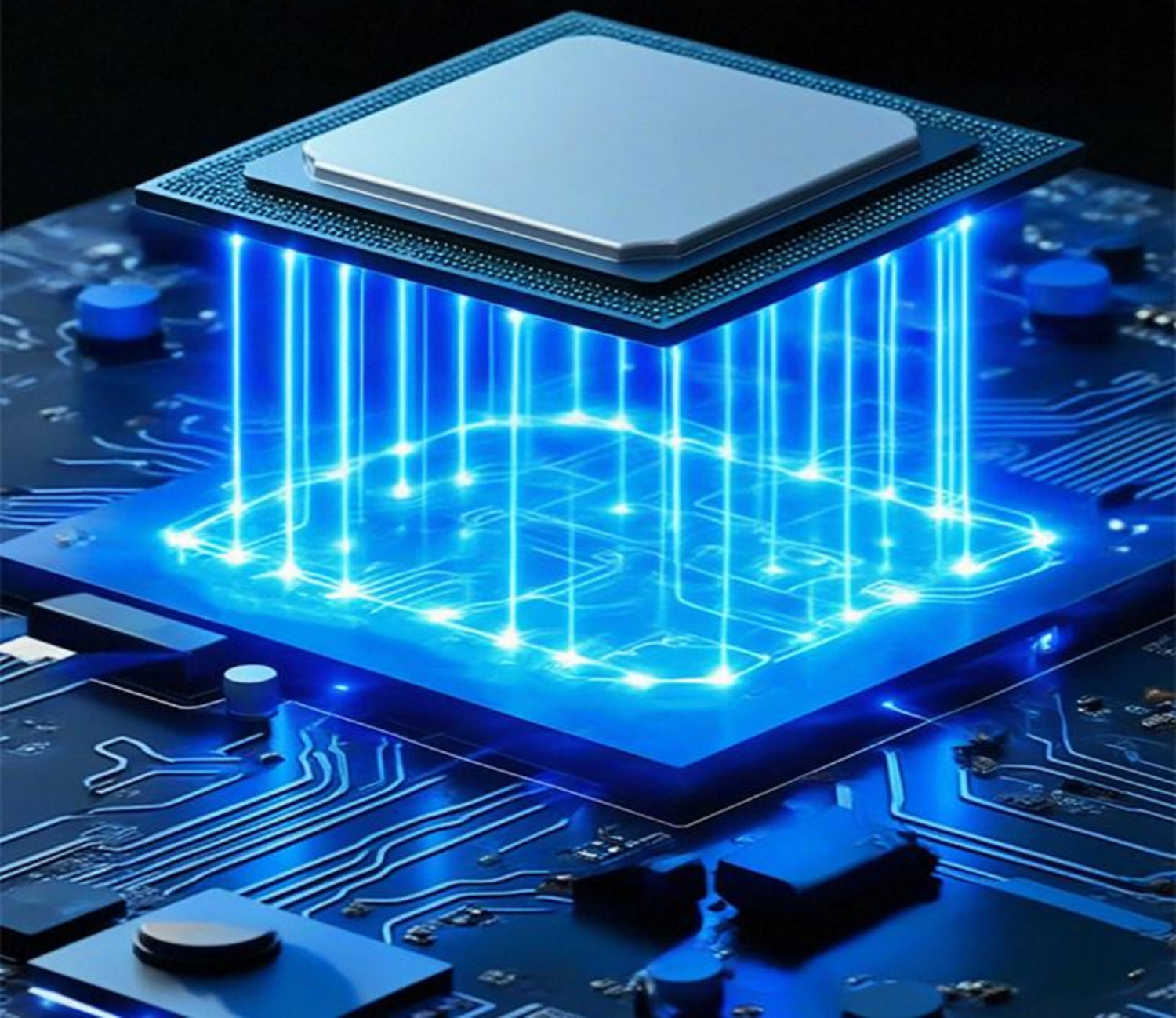
INTELLIGENT UPGRADE SAFETY PROTECTION

Overload protection

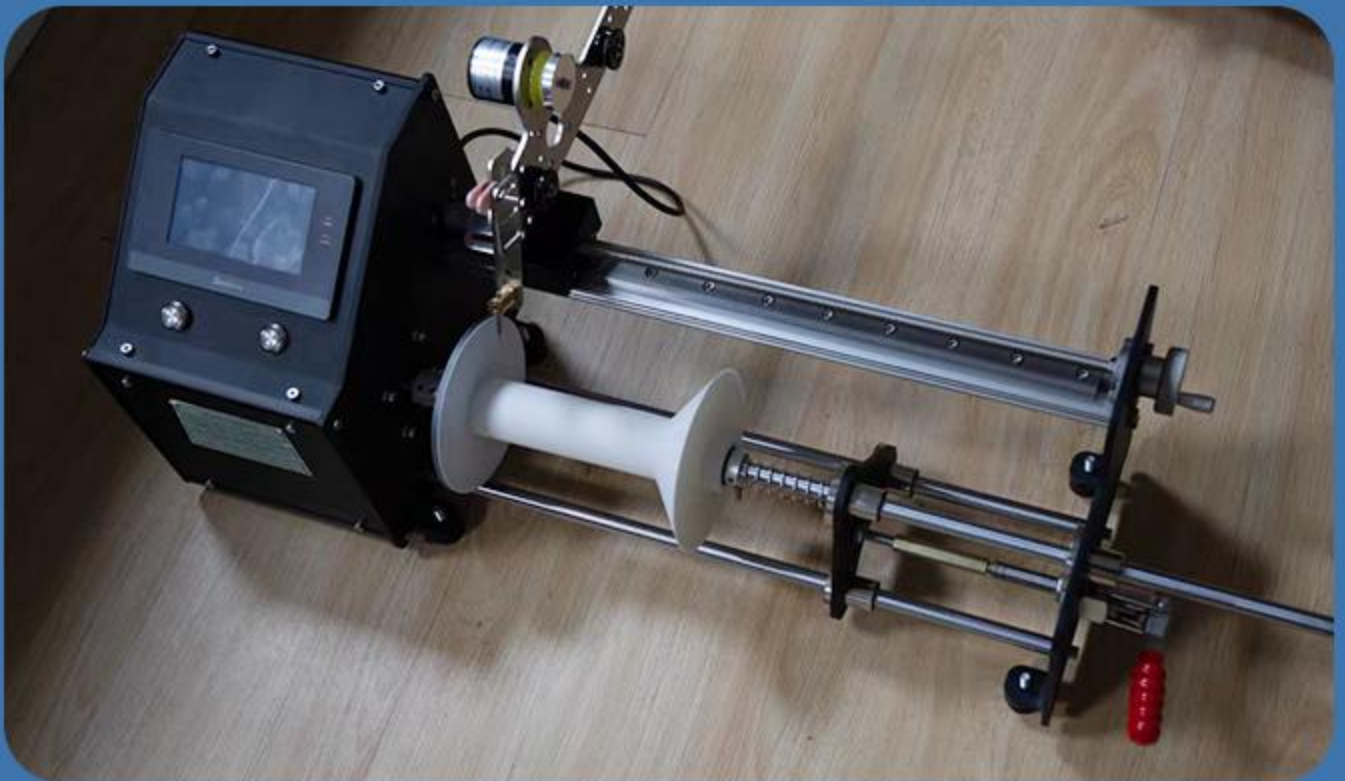
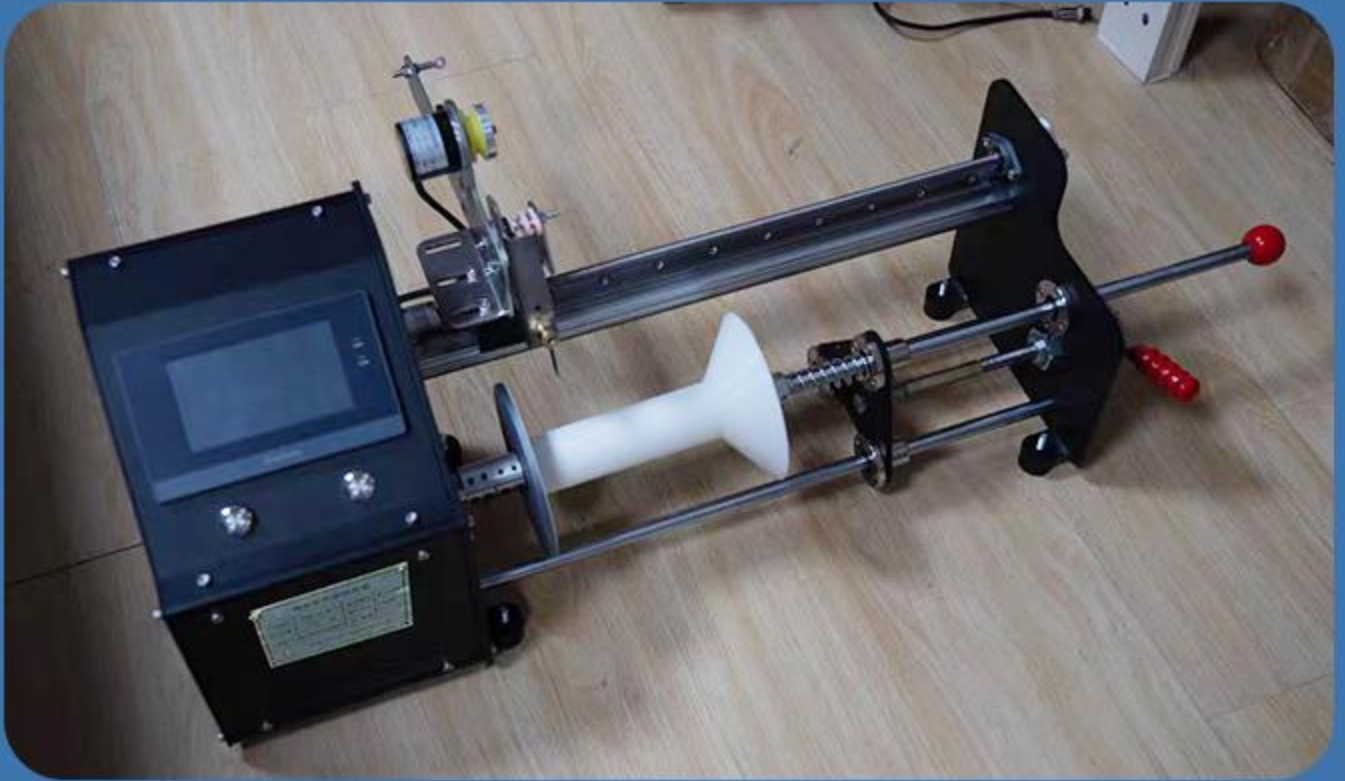
Leakage protection

Overcurrent protection

Safe and reliable



PRODUCT SHOOTING



PRODUCT PACKAGING

